

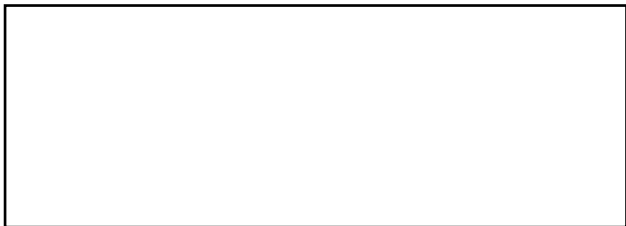


30-LITER BOWL CUTTER

Item: 10878

Model: FP-ES-0030

Bowl cutting produces as much as 15% higher finished product yield. Bowl cutting also allows the use of up to 30% more water and results in less shrinkage.



Authorized Dealer

FOOD EQUIPMENT

30-LITER BOWL CUTTER



Standard

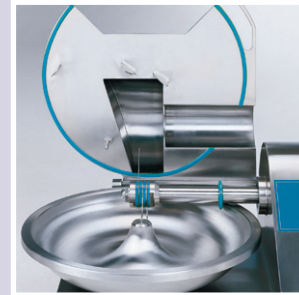
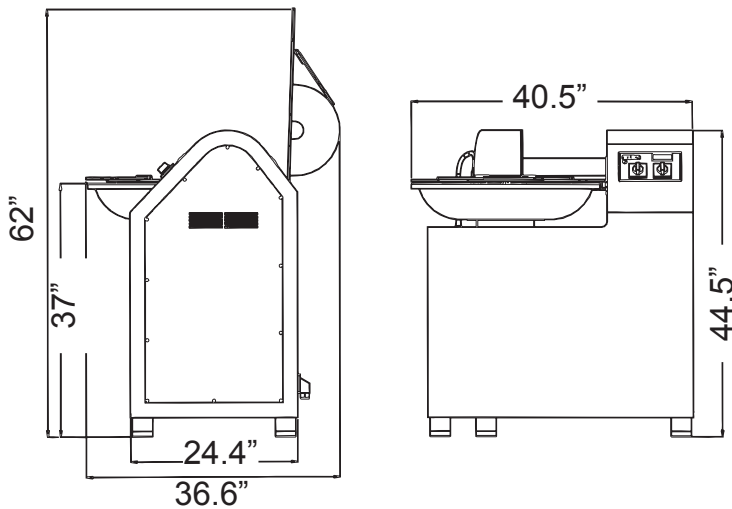
- Anti-noise lid
- 3-knife head
- Digital thermometer
- 2 speed-variable speed control
- All stainless steel

Optional

- 6-knife head

TECHNICAL DRAWING & DIMENSIONS

Item: 10878



Front lid



Standard



Optional
6-knife head

TECHNICAL SPECIFICATION

ITEM NUMBER	10878
MODEL	FP-ES-0030
BOWL VOLUME	30 L / 8 gal
MIXTURE BOWL CAPACITY (APPROX.)	20 kg./44.1 lbs.
TOTAL HORSEPOWER	4.8/6.5 HP
KNIFE SPEED	1700/3400 RPM
BOWL SPEED	22/45 RPM
ELECTRICAL	220V/60/3
WEIGHT	772 lbs./ 350 kg.
PACKAGING WEIGHT	876 lbs./ 397 kg.
DIMENSIONS (DWH)	36.6" x 40.5" x 44.5" / 929.6 x 1028.7 x 1130 mm
PACKAGING DIMENSIONS	47" x 41" x 52" / 1194 x 1041 x 1321 mm

OMCAN INC.

Telephone: 1-800-465-0234
 Fax: (905) 607-0234
 E-mail: sales@omcan.com
 Website: www.omcan.com



Follow us to keep up to date with the latest news and offers



2015.E.O.E